



# INSTALLATION INSTRUCTIONS

Accessory  
REMOTE ENGINE  
START SYSTEM  
P/N 38015-TZ3-X20

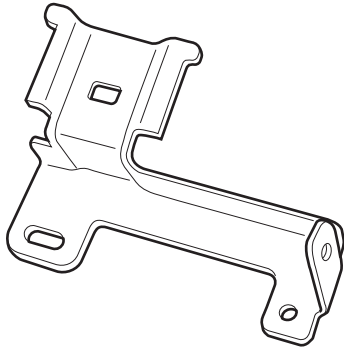
Application  
2019 TLX

Publications No.  
**VERSION 1**  
Issue Date  
**MAR 2018**

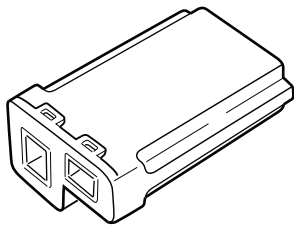
**NOTE:** For additional technical information, refer to the service information.

## PARTS LIST

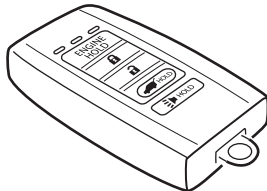
Bracket



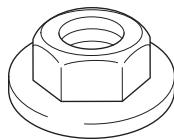
Transceiver



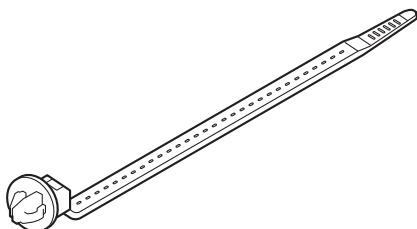
2 Remotes



2 Nuts



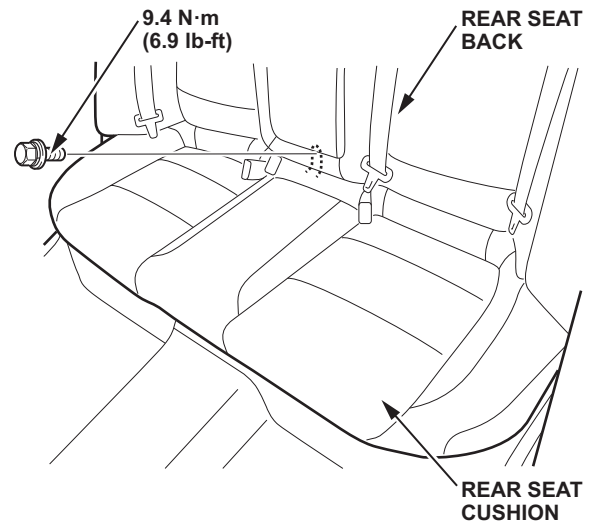
Wire tie with clip



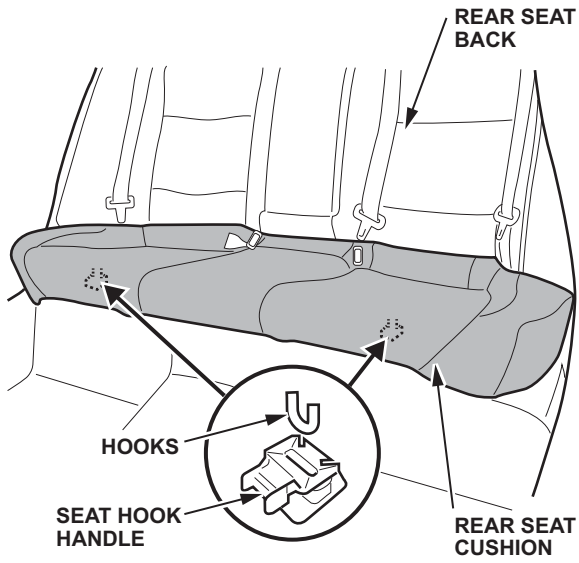
## INSTALLATION

**Client Information:** The information in this installation instruction is intended for use only by skilled technicians who have the proper tools, equipment, and training to correctly and safely add equipment to your vehicle. These procedures should not be attempted by “do-it-yourselfers.”

1. Remove the bolt between the rear seat-back and the rear seat cushion.

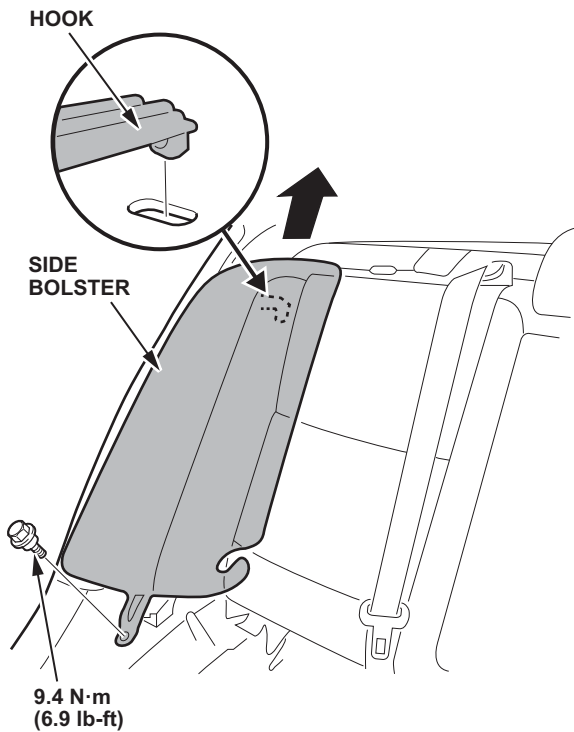


2. While pushing down on the seat cushion, pull the seat hook handles to release the hooks.

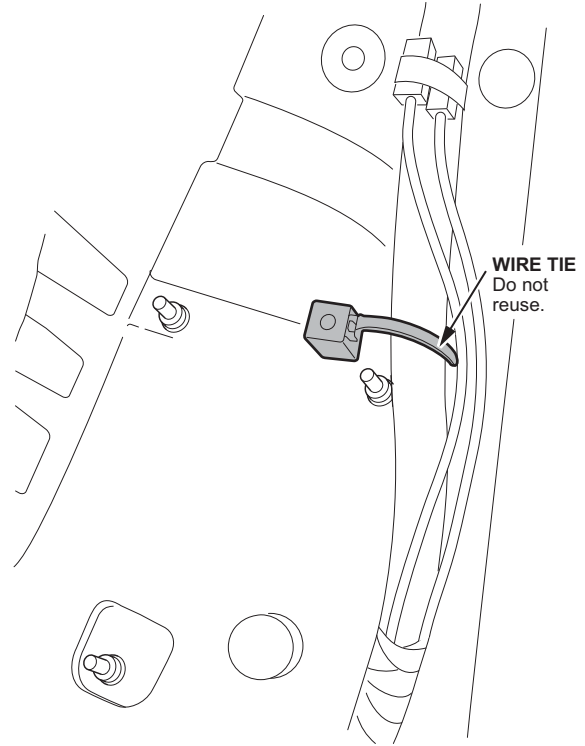


3. Remove the rear seat cushion.
4. Remove the bolt securing the side bolster. Lift up the bolster to release the hook, and remove the bolster.

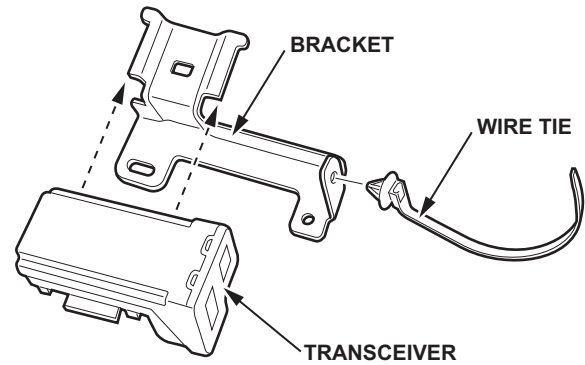
**PASSENGER SIDE:**



5. Remove the harness wire tie.

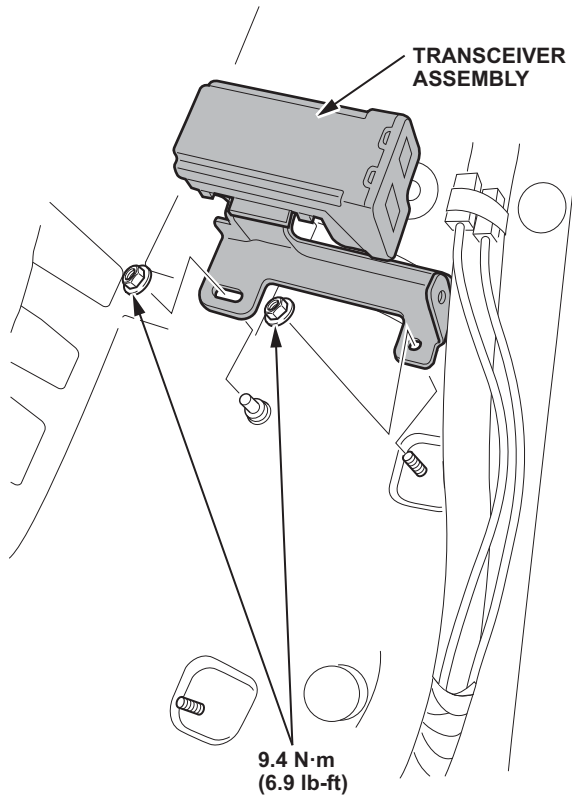


6. Slide the transceiver onto the bracket.

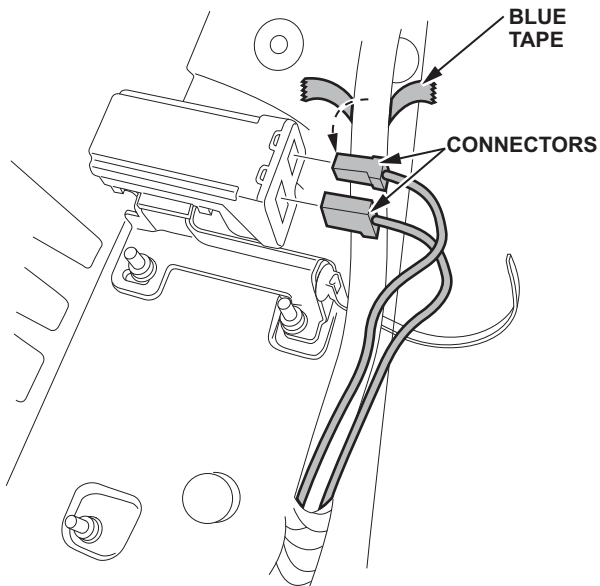


7. Connect the wire tie with clip to the bracket.

8. Install the transceiver assembly onto the two studs, and secure it using the two nuts. Torque to 9.4 N·m (6.9 lb-ft).

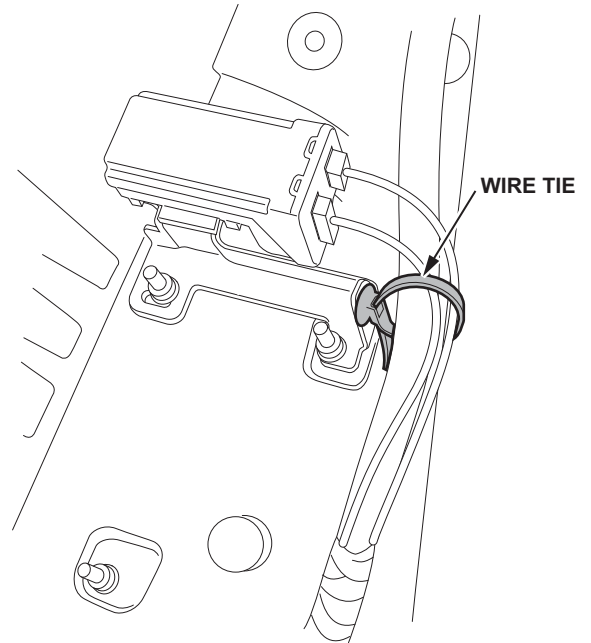


9. Locate the green and black connectors blue-taped to the vehicle harness, and remove the blue tape to free the connectors.



10. Connect the green and black connectors to the transceiver.

11. Secure the vehicle harness to the transceiver bracket with the wire tie.



12. Install all removed parts.

## ENGINE REMOTE START SYSTEM REGISTRATION

NOTE: the PCM code will be required for this procedure.

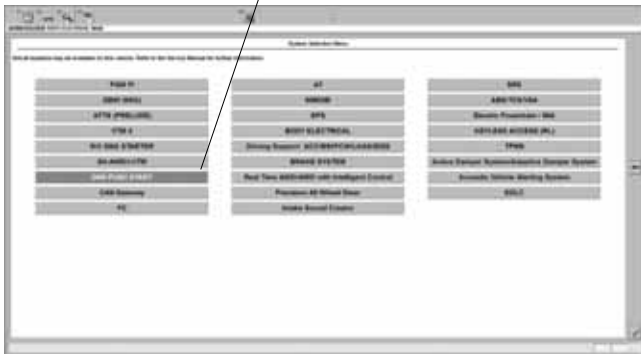
1. Connect the i-HDS to the data link connector.
2. Select **Honda Systems**, then click the check button.

Select Honda Systems.



3. From the **System Selection Menu**, select **ONE-PUSH START**.

Select ONE-PUSH START.



4. Select **Registration**.

Select Registration.



5. From the **Registration Menu**, select **KEYLESS ACCESS Remotes**.

Select KEYLESS ACCESS Remotes.



6. Select **2-WAY KEYLESS SETUP**. Change the setting to **2-WAY KEYLESS** mode.

Select 2-WAY KEYLESS SETUP.



7. Go back to the **KEYLESS ACCESS Registration Menu**, select **Add a KEYLESS ACCESS REMOTE**, and follow the instructions.

NOTE: Do not bring the remote starter remote into the vehicle until the i-HDS asks for the new remote.

Select Add a KEYLESS ACCESS Remote.



8. Repeat step 7 for the second remote starter remote.

9. After registration, verify all remote-related systems work normally with all remotes.

### **REMOTE ENGINE START**

1. Press LOCK, then press and hold ENGINE HOLD. The amber LED blinks, and the green LED stays steady for 1 second when the engine starts. You can repeat this once at any time within 10 minutes of the initial remote start for a 10-minute extension.
2. While the remote engine start is on, these apply:
  - The climate control system can warm or cool the interior, depending on the ambient temperature.
  - The security system remains on.
  - The exterior lights and accessories remain off.
3. To start driving after you enter the vehicle, press the brake pedal and press the ENGINE/START/STOP button.

### **STOPPING THE ENGINE**

Press and hold ENGINE HOLD. The red LED stays steady for 1 second.

**NOTE:** The engine will stop if it has been running for more than 10 minutes or any door is opened without using the remote or keyless access.

For additional technical information, refer to the vehicle owner's manual.